

**Lower Plinth**

**4.1** Replace previous repair to the top stone at the west side with a new stone indent (new stone to be subject to approval by the Architect prior to placing order). Allow for all necessary dressing of existing cut out and for pinning and resin fixing new indent into position (see Section 2: STONE INDENTS).

**4.2** The contractor is to produce 'biscuit' mortar samples prepared using a variety of aggregates the best match to the original mortar in terms of colour and texture. The samples are to be approved by the Architect who will then require selected mixes to be applied to sample areas in order to determine whether an appropriate match has been achieved.

**4.3** Rake out remaining existing pointing to the external faces of the lower plinth and re-point in lime mortar to agreed sample.

**4.4** For purpose of tender, allow for provision and fixing of 6no. stainless steel cramps across joints in non-visible locations to hold top stones together (provisional item: number and locations subject to site confirmation).

**4.5** For the purpose of tender, allow for replacing 6.no concealed timber packers with stone indents (provisional item: number and locations subject to site confirmation).

**11.1** On completion of above works, allow for careful cleaning of biological growth from the lower and upper plinths as set out in Section 2: CLEANING STONE.

**Upper Plinth**

**5.1** Allow for limited grinding of bottoms of each stone to enable them to sit tightly onto lower plinth whilst producing a level surface to receive the base of the main shaft.

**5.2** Using lime mortar for bedding stones, reassemble upper plinth ensuring that the top is level.

**5.3** Allow for resin bedded pinning of cracking within stone beneath capping at south west corner.

**5.4** For purpose of tender, allow for incorporating 12no. stainless steel cramps across joints in non-visible locations to hold stones together and 2no dowels per stone (provisional item: number and locations subject to site confirmation).

**5.5** For purpose of tender, allow for replacing 3no. timber packers with stone indents (provisional item: number and locations subject to site confirmation).

**5.6** Re-point upper plinth in lime mortar to approved sample.

**11.1** On completion of above works, allow for careful cleaning of biological growth from the lower and upper plinths as set out in Section 2: CLEANING STONE.

**Shaft Base**

**6.1** Redress to square former repair at the north side of the shaft base stone and provide a new indent repair pinned and resin bonded to existing stone (new stone to be subject to approval by the Architect).

**6.2** Reinstall shaft base perpendicular incorporating stainless steel cramps and dowels across vertical and horizontal joints and lime mortar for bedding. If possible, turn the shaft base stone in order that the new indent repair (see 6.1 above) is not facing the approach to the monument.

**6.3** Re-point joints in lime mortar to agreed sample.

**Main Shaft**

**7.1** Reinstall main shaft perpendicular incorporating stainless steel dowels across horizontal joints and lime mortar for bedding.

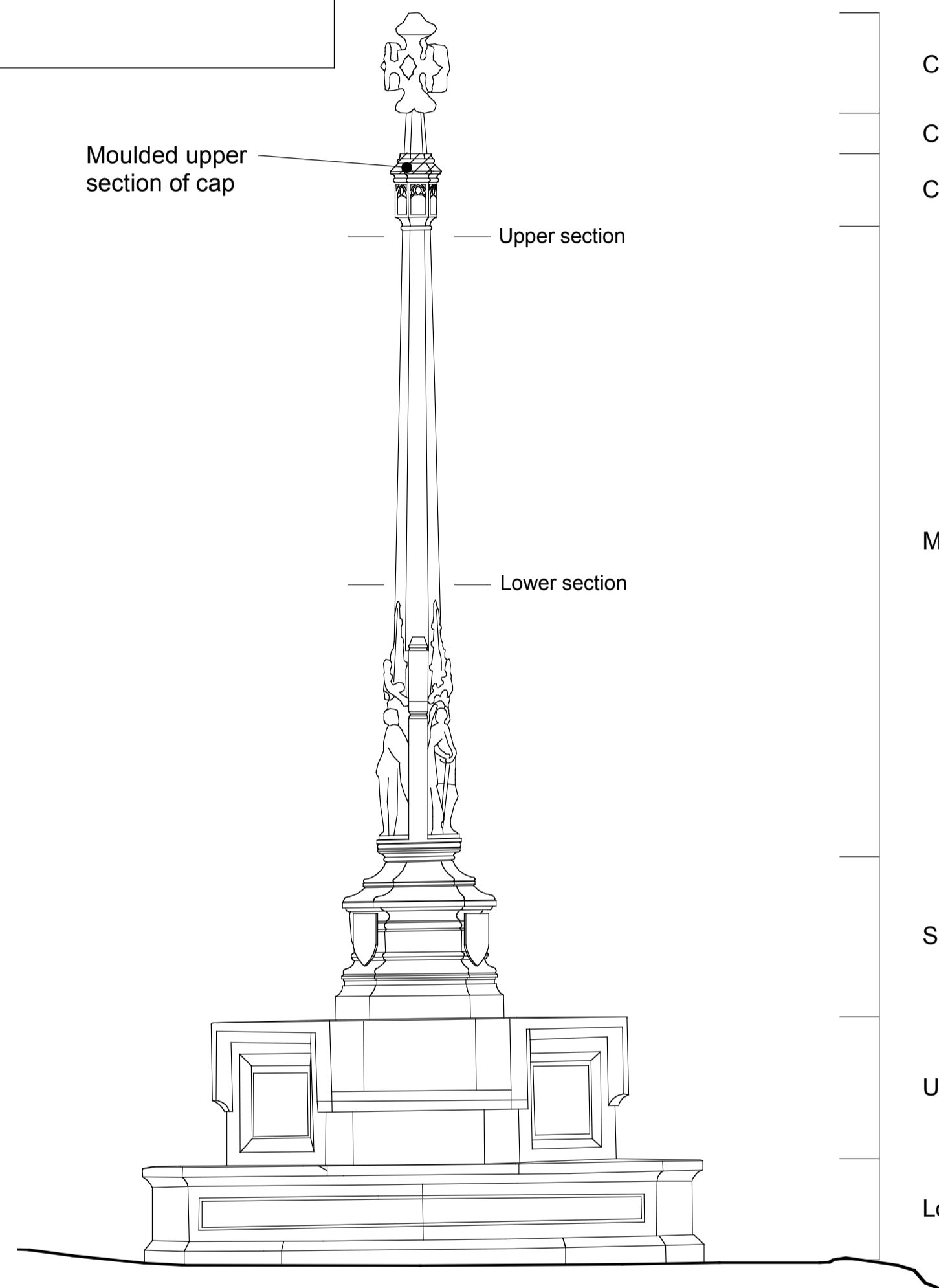
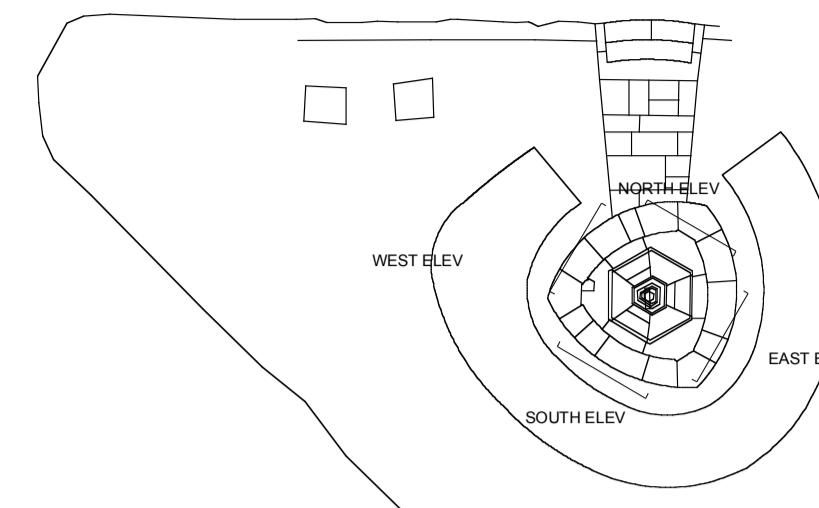
**7.2** Re-point joints in lime mortar to agreed sample

**Cap and Stone Cross**

**8.1** Allow for renewing the moulded upper section of the shaft cap, new stone to be pinned and resin bonded to existing. New stone to be subject to approval by the Architect prior to placing order (provisional item subject to site confirmation).

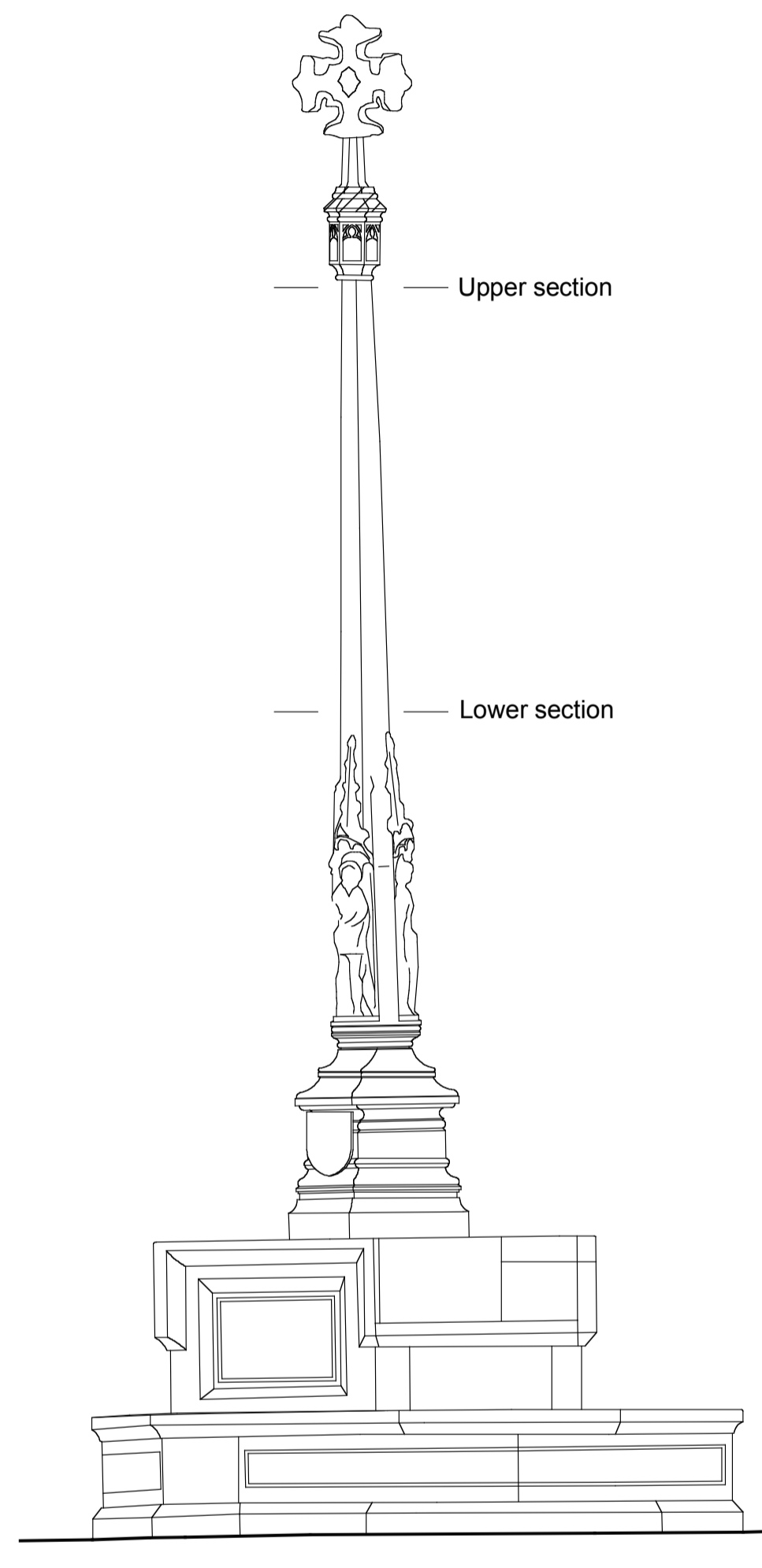
**8.2** Refix cap and cross centrally set and fully square to the main shaft beneath incorporating stainless steel dowels across horizontal joints.

**8.3** Point joints in lime mortar to approved sample.



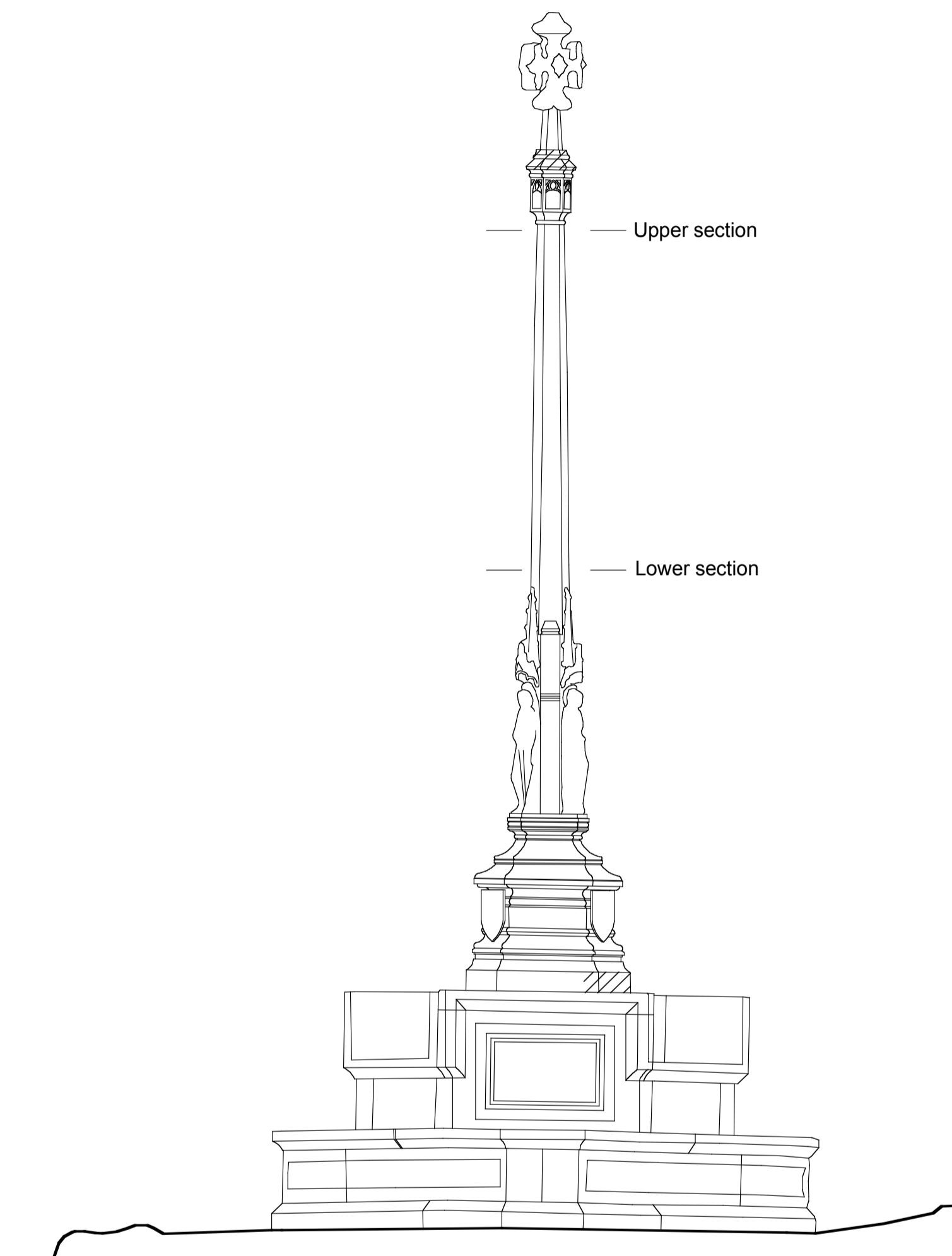
100.00m Above Arbitrary Datum

SOUTH ELEVATION



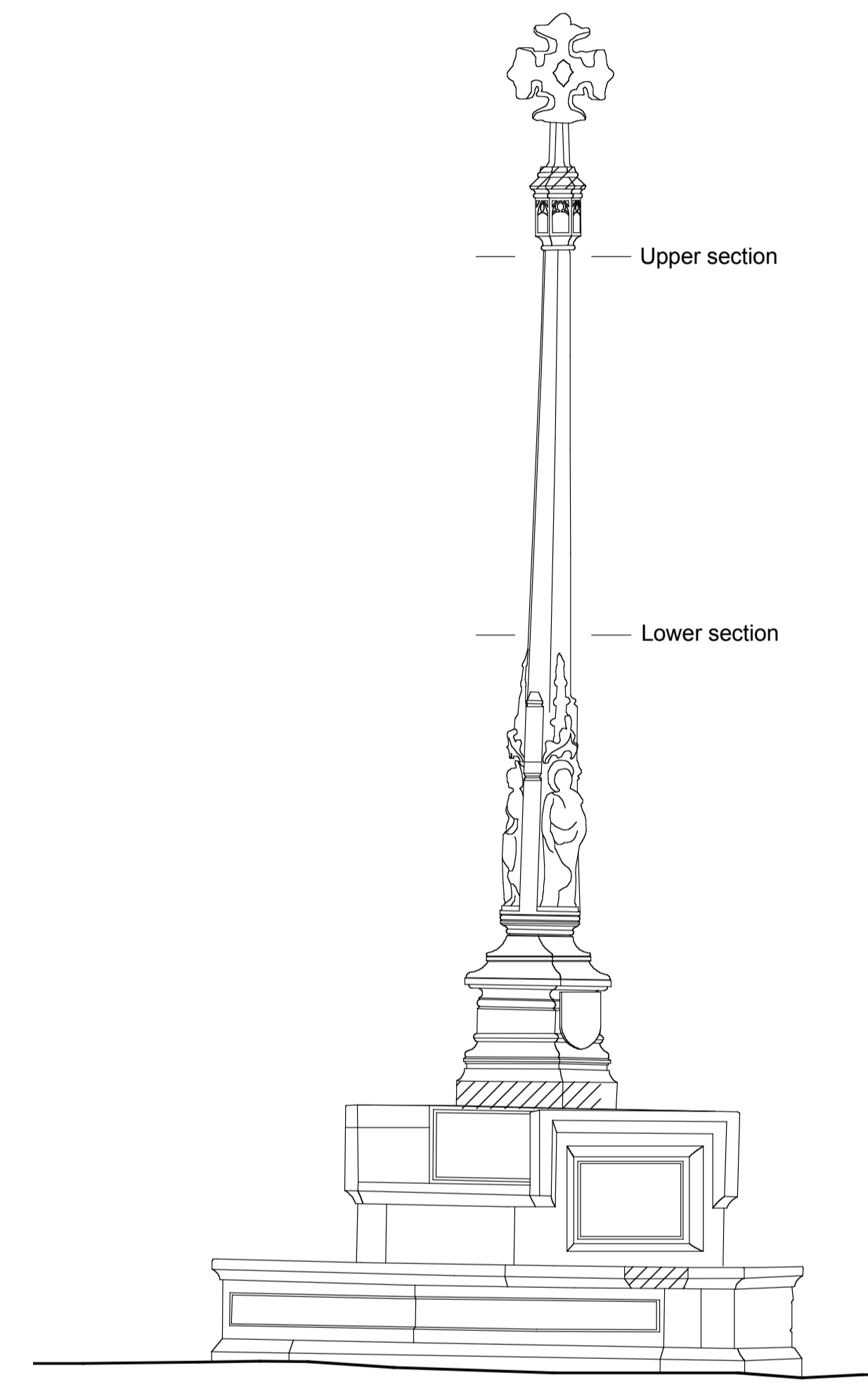
100.00m Above Arbitrary Datum

EAST ELEVATION



100.00m Above Arbitrary Datum

NORTH ELEVATION



100.00m Above Arbitrary Datum

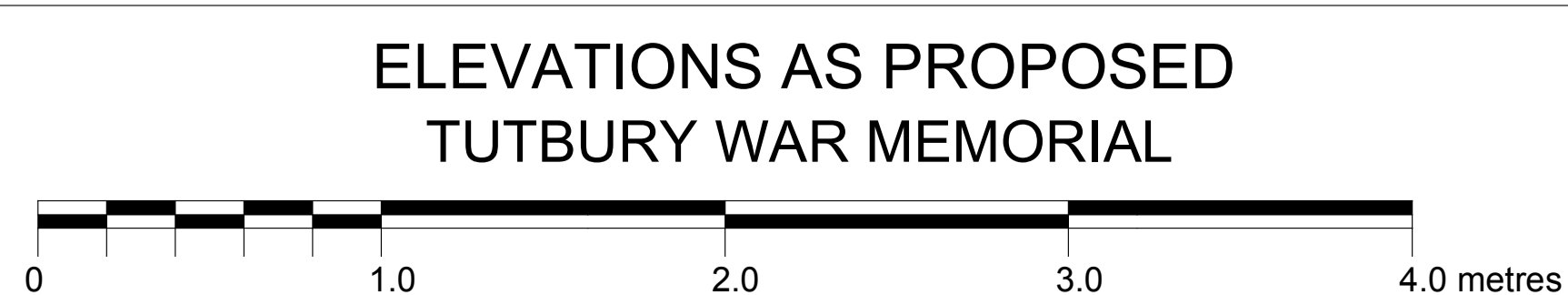
WEST ELEVATION

Notes:  
Drawing units are metres.

Stair/ slope arrows point up  
Direction of floor boards  
Direction of roof slope (up)  
Floor to Ceiling Height

Location Diagram:

Notes:  
THIS SURVEY HAS BEEN CARRIED OUT WITH AN ACCURACY CONSISTENT WITH A SCALE OF 1:50. INTERROGATED DIMENSIONS WILL BE WITHIN THE TOLERANCE ASSOCIATED WITH THIS AND SMALLER SCALES ONLY.  
ALL LEVELS ARE IN METRES, RELATED TO AN ARBITRARY SITE DATUM.  
UNITS ARE METRES.



**ELEVATIONS AS PROPOSED  
TUTBURY WAR MEMORIAL**

SURVEYED & DRAWN BY:  
**James Brennan Associates**  
www.jbrennanassociates.co.uk  
Chartered Surveyors  
CASTLE TOP FARM, BOW WOOD  
LEA BRIDGE, MATLOCK  
DERBYSHIRE DE4 5AB  
TEL: 01629 530716  
EMAIL: mail@jbrennanassociates.co.uk

Architect/ Surveyor:  
**Smith and Roper**  
Architects and Surveyors  
Buxton Road  
Bakewell  
Derbyshire  
DE45 1BZ

Client:  
**TUTBURY WAR MEMORIALS  
PRESERVATION COMMITTEE**

Rev A: JLS, June 14, Spec changes

Drawing no. 1017/004A  
Issue date Apr 2014  
Issue status A  
Scale 1:20@ A1