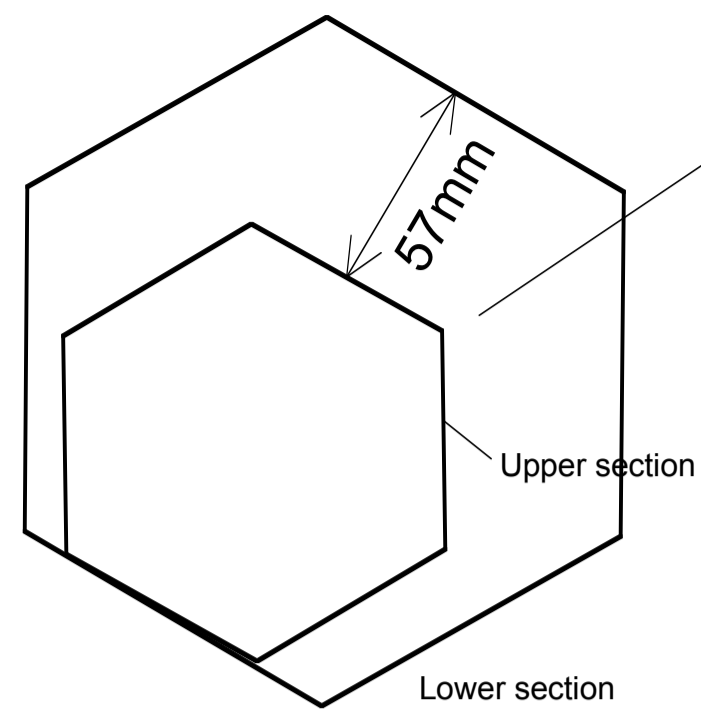
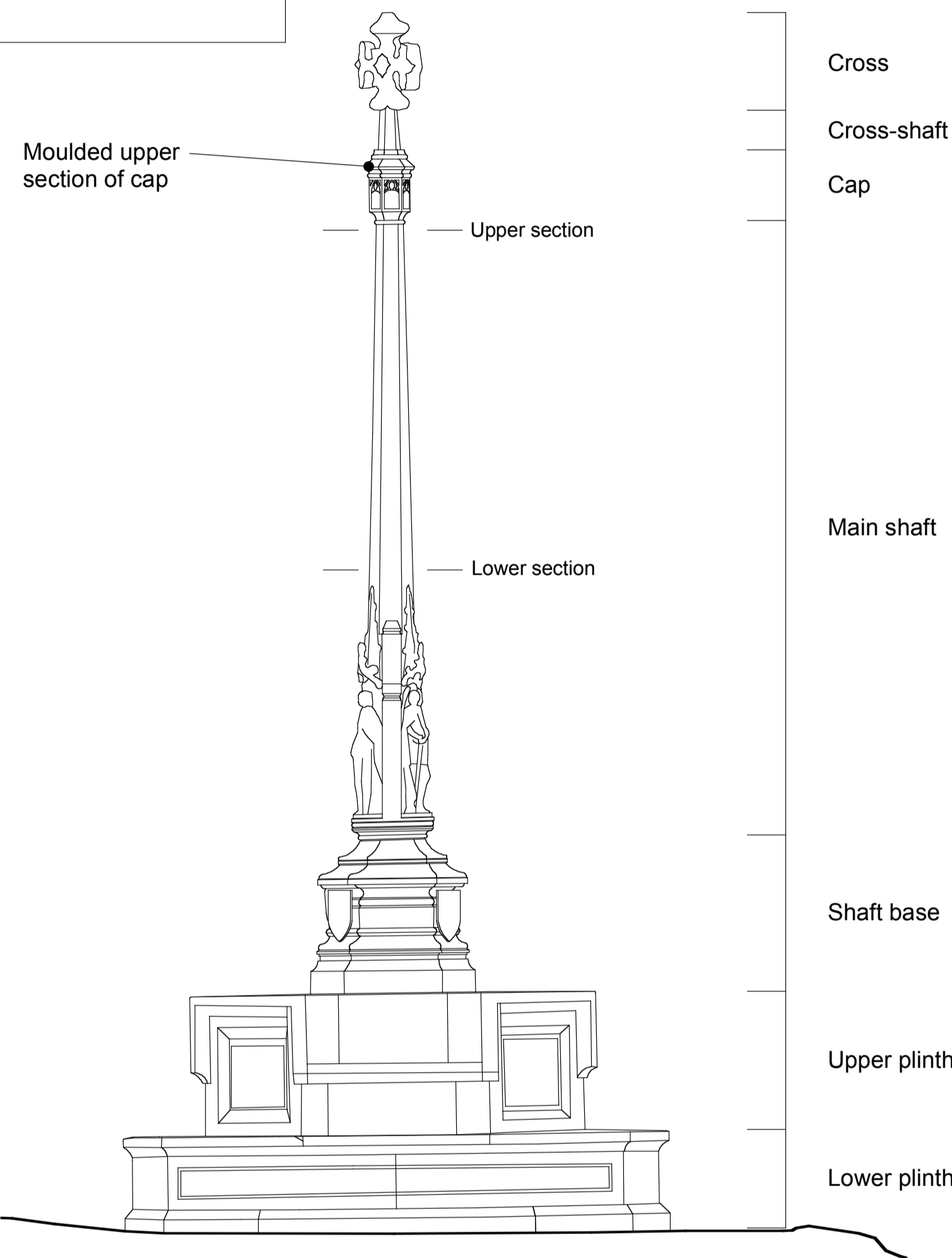
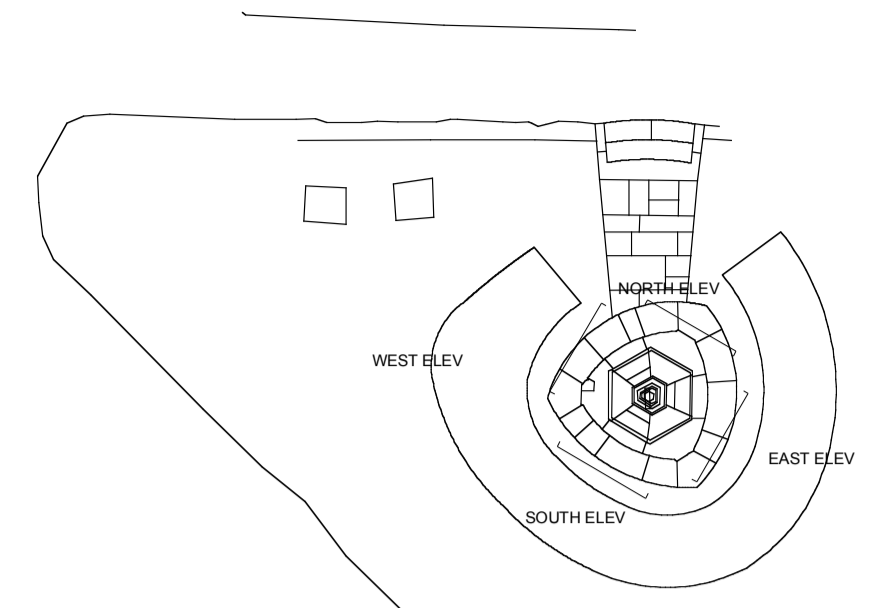


Cross sections:
Scale 1:2



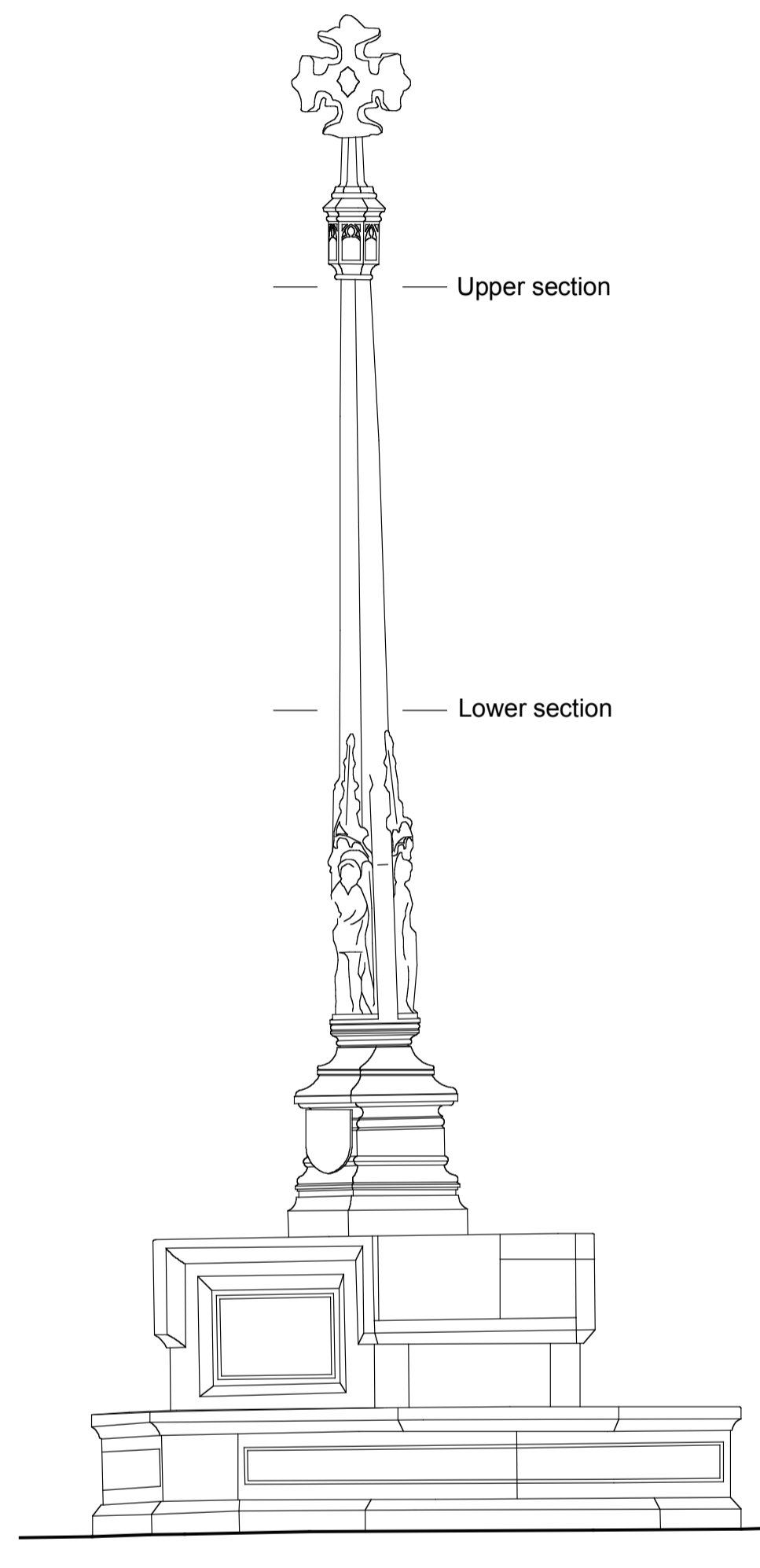
Note that shaft currently leans to the South West.

Location Diagram:



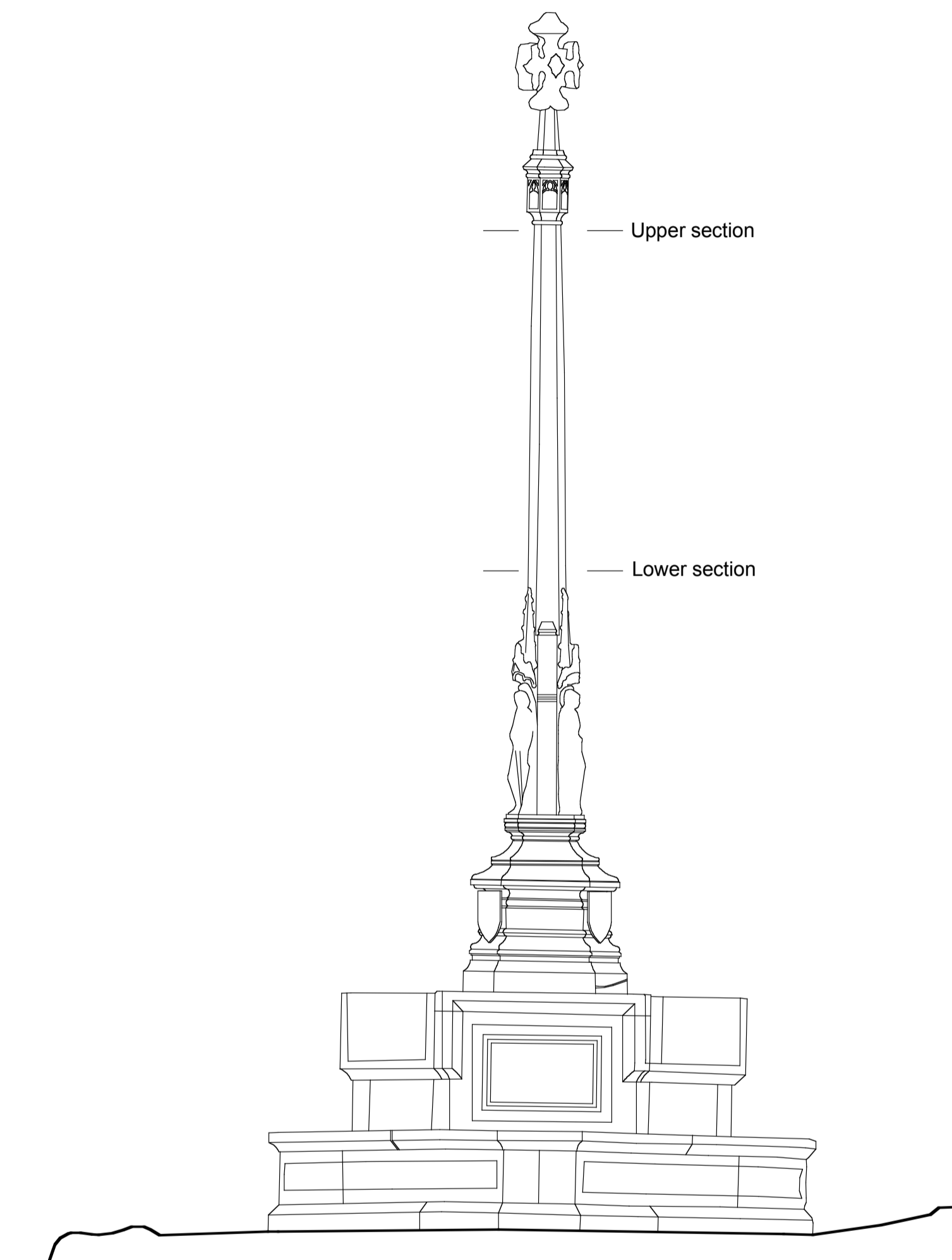
100.00m Above Arbitrary Datum

SOUTH ELEVATION



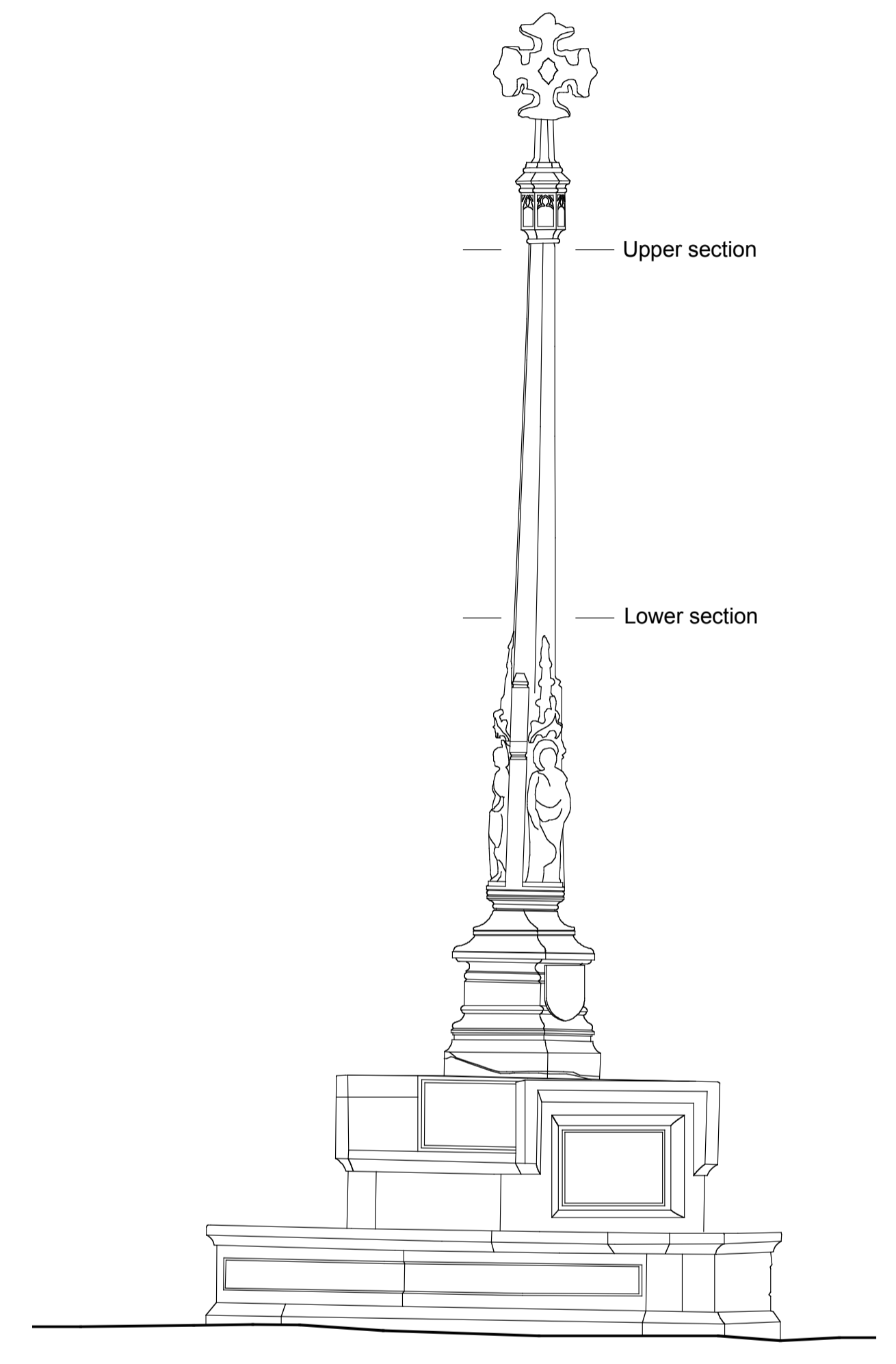
100.00m Above Arbitrary Datum

EAST ELEVATION



100.00m Above Arbitrary Datum

NORTH ELEVATION



100.00m Above Arbitrary Datum

WEST ELEVATION

Notes:

Drawing units are metres.

- Stair/ slope arrows point up
- Direction of floor boards
- Direction of roof slope (up)
- Floor to Ceiling Height

Location Diagram:

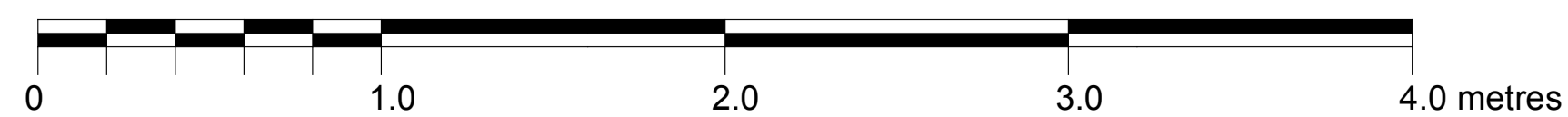
Notes:

THIS SURVEY HAS BEEN CARRIED OUT WITH AN ACCURACY CONSISTENT WITH A SCALE OF 1:50. INTERROGATED DIMENSIONS WILL BE WITHIN THE TOLERANCE ASSOCIATED WITH THIS AND SMALLER SCALES ONLY.

ALL LEVELS ARE IN METRES, RELATED TO AN ARBITRARY SITE DATUM.

UNITS ARE METRES.

ELEVATIONS AS EXISTING TUTBURY WAR MEMORIAL



SURVEYED & DRAWN BY:

James Brennan Associates

Chartered Surveyors
www.jbrennansassociates.co.uk

CASTLE TOP FARM, BOW WOOD
LEA BRIDGE, MATLOCK
DERBYSHIRE DE4 5AB
TEL: 01629 530716
EMAIL: mail@jbrennansassociates.co.uk

Architect/ Surveyor:

Smith and Roper
Architects and Surveyors

Buxton Road
Bakewell
Derbyshire
DE45 1BZ

Client:

TUTBURY WAR MEMORIAL
PRESERVATION COMMITTEE

Drawing no. 1017/003

Issue date Apr 2014

Issue status A

Scale 1:20@ A1